

Product Specification Sheet

February 2023

Description

Fuel Lock Personal is an auto-locking device that utilizes a single PIN entry to access fuel.

Applications

Fuel Lock Personal is used to lock bulk fuel tanks. The Fuel Lock device is connected to a power source and installed away from the fuel tanks, in accordance with the local electrical code. To access fuel, users must enter their four-digit PIN to turn on power to the fuel pumps. After use, Fuel Lock will automatically lock in a time increment the user chooses.

Features:

- Connection to new or existing tank site
- Single user PIN Entry
- Auto-Lock between 5-60 minutes (Adjustable)
- LED Indicator light to signal locked, unlocked, or settings mode
- LCD display screen
- Weatherproof enclosure
- Compatible with 120/240V pumps (device still requires a neutral)

Installation Installation must be completed by a certified Electrician. Installation must be in accordance to the Canadian Electrical Code (CEC) or in accordance with your local authority.

Specifications Operating Temperature: -40C (-40F) to +60C (+140F)

Max Voltage: 240 VAC

Enclosure Material: Steel

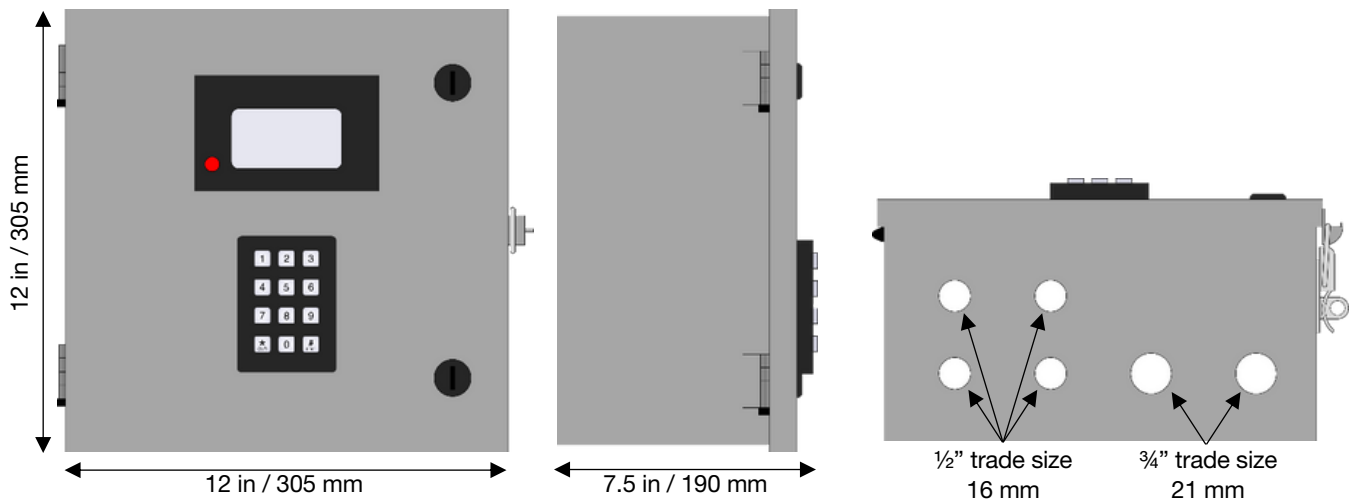
HP Rating: 1HP

Max Amperage: 30A

Degree of Protection (Enclosure): Powder coated 16 gauge steel, Nema 4-4X, weatherproof IP67 (Li/FeS2)

Size: W X L X D 12 X 12 X 7.5 (inches) 305 X 305 X 190

Weight: 10lbs



Inside View

