

Product Specification Sheet

June 2018

Description

Fuel Lock® Personal is an auto-locking device that utilizes a single PIN entry to access fuel.

Applications

Fuel Lock® Personal is used to lock bulk fuel tanks. The Fuel Lock® device is connected to a power source and installed away from the fuel tanks, in accordance with the local electrical code. To access fuel, users must enter their four-digit PIN to turn on power to the fuel pumps. After use, Fuel Lock® will automatically lock in a time increment the user chooses.

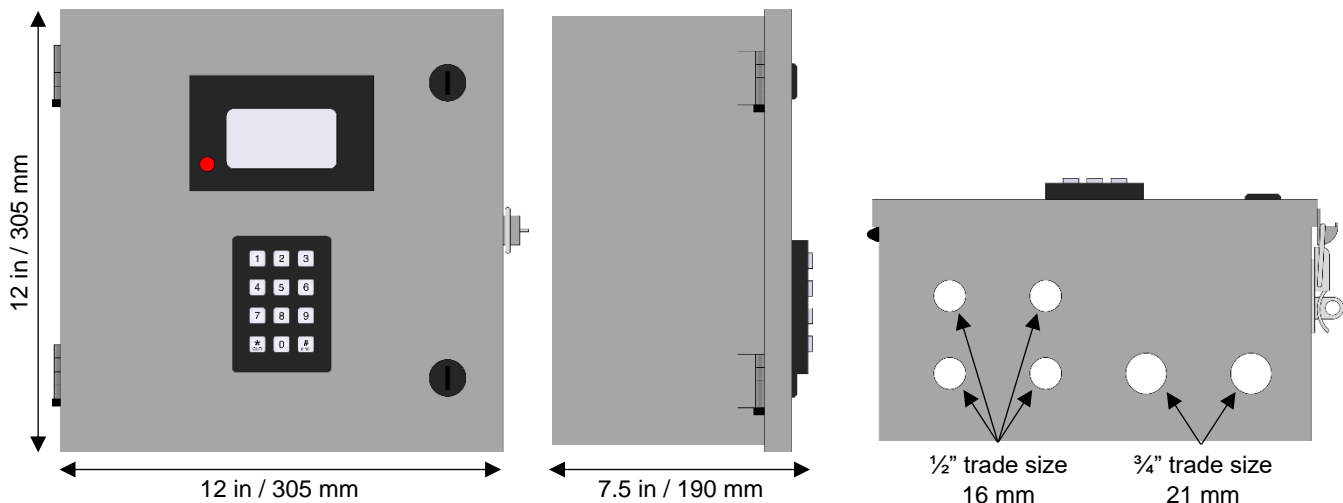
- Features:
- Connection to new or existing tank site
 - Single user PIN Entry
 - Auto-Lock between 5-60 minutes (Adjustable)
 - LED Indicator light to signal locked, unlocked, or settings mode
 - LCD display screen
 - Weatherproof enclosure
 - Compatible with 120/240V pumps (device still requires a neutral)

Installation

Installation must be completed by a certified Electrician. Installation must be in accordance to the Canadian Electrical Code (CEC) or in accordance with your local authority.

Specifications

- Operating Temperature: -40C (-40F) to +60C (+140F)
- Max Voltage: 240 VAC
- Enclosure Material: Steel
- HP Rating: 1HP
- Max Amperage: 30A
- Degree of Protection (Enclosure): Powder coated 16 gauge steel, Nema 4-4X, weatherproof IP67 (Li/FeS2)
- Size: W X L X D 12 X 12 X 7.5 (inches) 305 X 305 X 190
- Weight: 10lbs



Inside View

